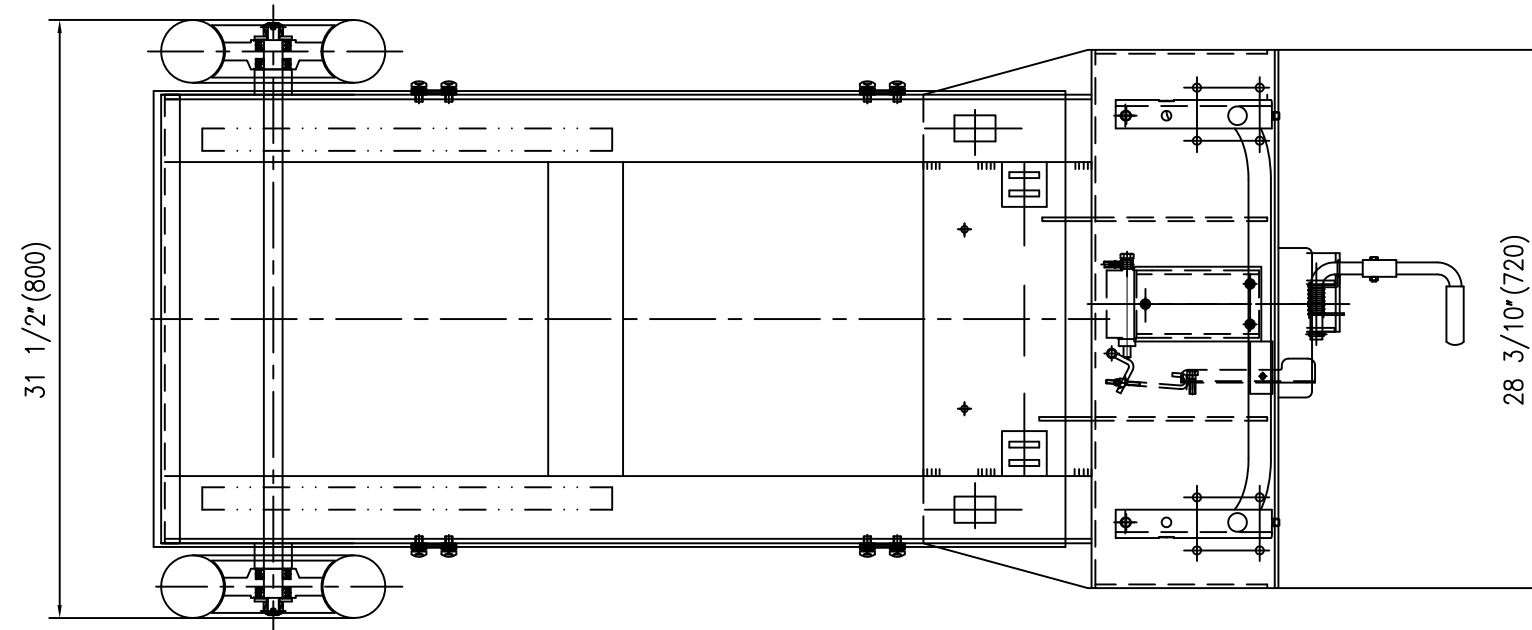
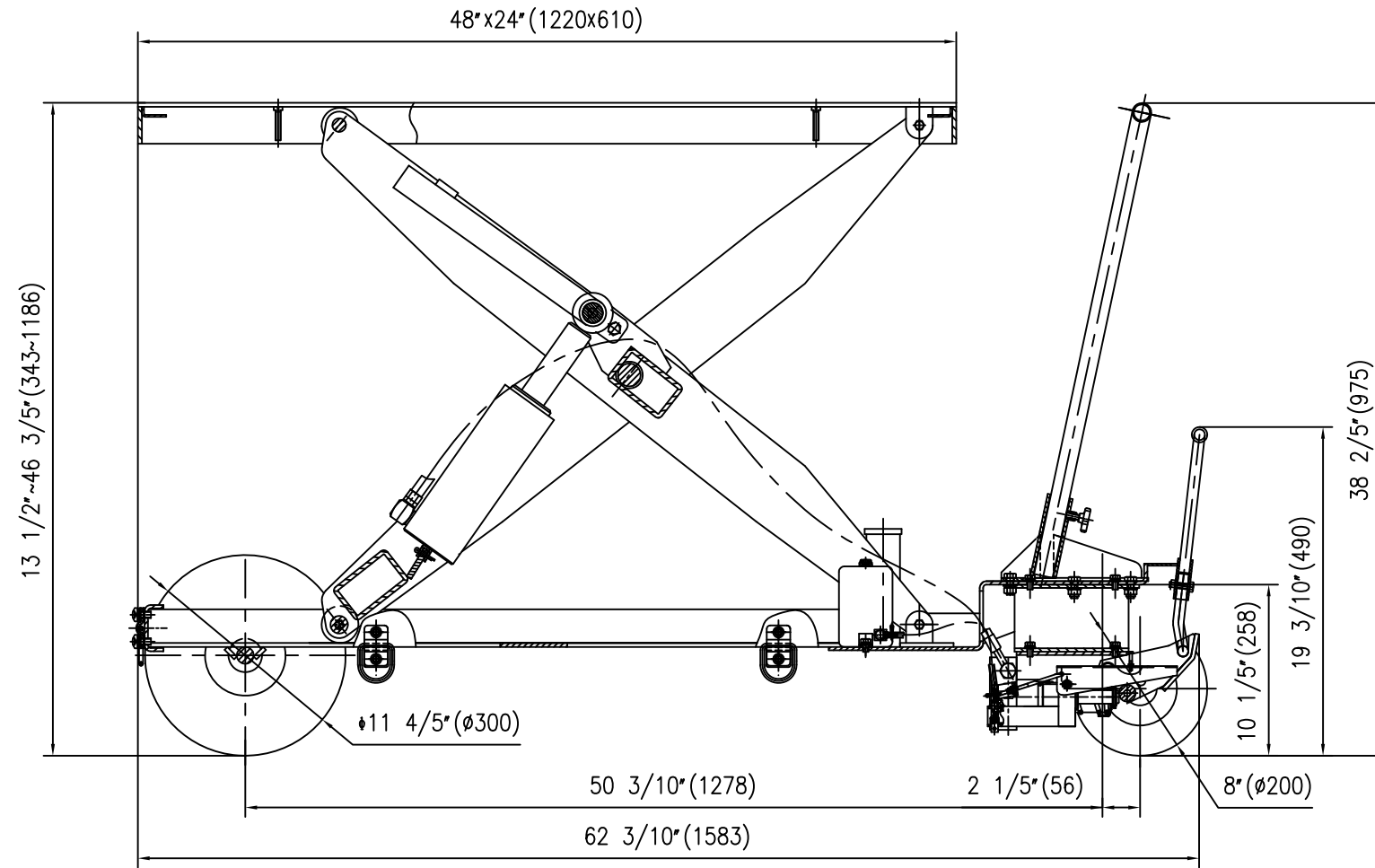


CART-PN-1000



| | |
|----------------------------|------------------------------|
| VESTIL MANUFACTURING CORP. | |
| Model: | CART-PN-1000 |
| Description: | Rough Terrain Elevating Cart |
| Design: T.M | Date: 05/28/2019 |